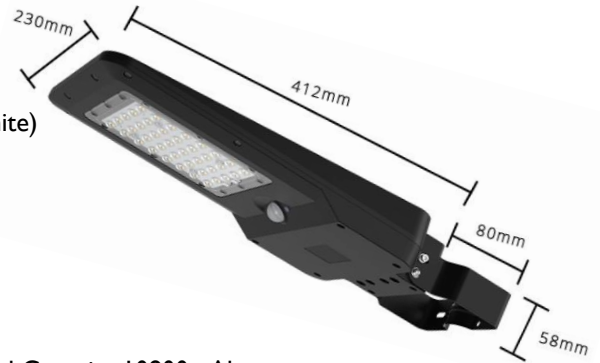


THANK YOU FOR YOUR PURCHASE
PLEASE READ THESE INSTRUCTIONS CAREFULLY PRIOR TO INSTALLATION / MAINTENANCE

SPECIFICATIONS

Wattage: 15w
Lamp: In-built LED x 40 (SMD 2835)
Colour Temperature: 6000K (Daylight White) / 3000K (Warm White)
Lumen Output: 1600 lm
LED Life Expectancy: up to 35,000 hours
Max Illumination Time at Full Charge: up to 5 nights
Sensor: PIR (Motion Sensor) + Photocell (Dusk to Dawn)
PIR Distance: Up to 8m
PIR Sensor Delay Time: approx. 20 seconds
PIR Sensor Angle: 120 degrees
Battery Type: Lithium Ion 18650 7.4v 5400mAh (Replaceable) – Total Capacity 10800mAh
Battery Lifespan: up to 8 years
Battery Charge Time: 10 -12 hours
Solar Panel: 9.5Wp Polycrystalline Silicon – Lifespan up to 5 years
IP Rating: IP65
Materials: Aluminium, Polycarbonate, Tempered Glass
Mounting: Standard bracket & pole adaptor supplied
Weight: 1950g (approx.)
Install Height: 2-5m recommended
Functions: Auto Adjust – see modes / settings



✓✓✓✓✓
5 YEAR
GUARANTEE
 see website for
 more details



! WARNINGS !

- If a fitting is found to be damaged, cease use immediately.
- The unit may get warm whilst on for a period of time.
- Always take care when installing your solar light, especially when mounting it in high places.
- Ensure the fitting is mounted out of range of head height to avoid injury.
- Fitting must be mounted to a solid surface.
- This Solar Light will not charge correctly if the panel is behind glass or artificial light is used.
- For replacement battery, contact the manufacturer.

CLEANING & MAINTENANCE:

Occasional cleaning and care are recommended for this product. Wipe with a soft, slightly damp cloth to remove any surface dirt. To maintain efficiency, specifically clean the solar panel, LEDs and PIR on a regular basis. Also, keep the solar panel free of debris and snow to prevent reduced battery life or malfunction. Do not use abrasive cleaners or a lot of water as this could damage the fitting. Please refer to our website for more information on the best way to clean different materials.

RETURNS:

If purchased from a 3rd party, please contact your supplier. If purchased direct, contact us by phone or email:
 Lumena Lights Ltd, Centre 33 Long March, Daventry, NN11 4NR Tel: +44 1327 871161 Email: sales@lumenalights.com

Our full returns policy is available on our website.

Waste Electrical Products should not be disposed of with household waste. Please check with your local authority or contact us for more information. Please recycle packaging whenever possible.

Producer Registration Numbers: WEE/KC3440XY / BPRN0843

Full product range & more information: www.lumenalights.com

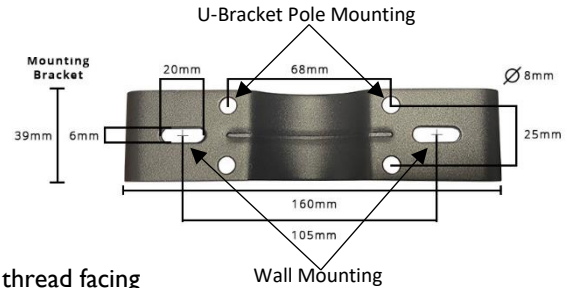
INSTALLATION:

Designed to be mounted on a flat surface or right-angled post (40-50mm diameter) at a **height of 2-5m**. The higher the light is mounted, the larger the illuminated area.

Location – It is important that the installation location is carefully considered, avoiding shady areas. The best position is south facing, however the light can work facing in other directions, especially when in full sunshine. The PIR must face the direction in which the motion is to be detected. Ensure there is no other lights which could interfere with the Sensors, imitating daylight.

WALL MOUNTING

1. Mark the 2 x slotted mounting holes on the mounting surface by holding the wall light bracket in the desired location (use a spirit level to ensure the holes are straight). The bracket can be removed from the light if preferred.
2. Drill the 2 x 8mm holes at a depth of 60mm with a 8mm drill bit (approx. 105mm centre to centre).
3. Remove nuts & washers from the expansion bolt.
4. Insert the bolt and expansion casing into the drilled out holes, with the thread facing outwards & protruding.
5. Place bracket in position over the bolts with the slotted side bracket holes at the top (see image). Secure in place with the flat washer, lock washer and nut (per bolt).
6. Using a spanner, tighten the nut so the bracket is fully secure on the surface. If the bracket was removed from the fitting, re-attach now.
7. Optional Tilt – loosen the 2 x screws on both sides of the lamp to adjust the lamp angle. Adjust up to 20 degrees upwards and 10 degrees downwards. Re-tighten screws when positioned at desired angle.



LAMP POST / GALVANISED STEEL BRACKET ADAPTOR

1. Remove the flat cover from the top back section of the fitting.
2. Replace with the pole adaptor (semi-circle cut out) and attach very loosely with the screws and nuts provided (nuts fit inside hexagonal cut outs on the bottom of the fitting).
3. Slot the pole adaptor and fitting over the right-angled pole / galvanized steel bracket until it is in the desired location and securely fasten in place by completely tightening the socket screws with the allen key provided.

NOTE: In order to prevent the hexagonal nuts from dropping out when removing the bolt, they are designed to remain inside the hexagonal cut outs of the fitting. To remove, loosely screw the bolt into the nut from the underside to pull out.

TIP: The Hiway can be surface mounted onto a 75mm or 100mm square post (fence posts). Posts are best concreted 300-400mm into the ground.



MODES / SETTINGS:

The Hiway is an auto-adjust, multifunction solar light. All modes will only function during darkness / dusk. The on button only needs to be pressed once for the auto-adjust multifunction to work continuously every night.

FIRST 5 HOURS: Constant on at 30% brightness. Full brightness when motion is detected within 8 metres. After 20 seconds of no motion being detected, the light will reduce back to constant light at 50% brightness.

AFTER 5 HOURS OR LESS THAN 30% BATTERY CAPACITY – Full brightness when motion is detected within 8 metres. Following 20 seconds of no movement being detected, the light will reduce to 50% brightness. After 5 minutes, the light will turn off until movement is detected again.

ON/OFF: Press the button next to the PIR Sensor once to turn on (auto adjust), and again to turn off completely.



Full product range & more information: www.lumenalights.com