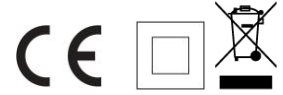


PIR UNIT WITH 8-BIT DIP SWITCH – LPR240-BX



INSTALLATION GUIDE



Producer Registration Number:

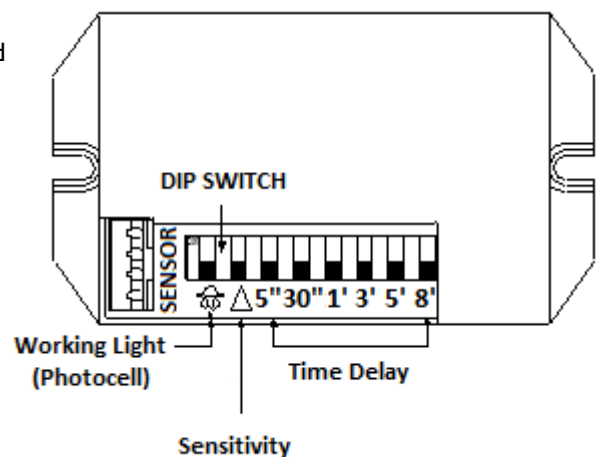
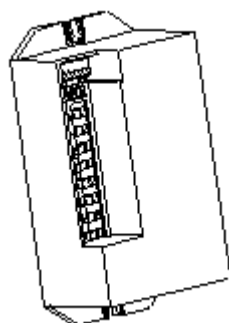
WEE/KC3440XY

Please read these instructions carefully prior to installation and keep for future reference

- This PIR must be installed by a competent person in accordance with the Building Regulations / IEE Wiring Regulations. If in any doubt, consult a qualified electrician.
- Switch off / isolate the mains prior to commencing installation or should the need to remove the control arise.
- Ensure other persons cannot restore the electrical supply without your knowledge.
- This product should be connected to a circuit with a 30mA RCD fitted. We recommend that the supply incorporates a switch for ease of operation.
- Double insulated, do not connect any part to earth.
- DO NOT overload.
- DO NOT submerge in water.
- Handle with care to prevent damage. Cease use immediately if damage occurs and disconnect power supply.
- Suitable for outdoor use
- Before drilling fixing holes, check that there are no obstructions hidden beneath the mounting surface such as pipes or cables.
- The chosen installation location should allow for the product to be securely mounted and safely connected to the mains supply (lighting circuit).
- Do not install where obstructions / moving objects / artificial lighting could influence the sensor

TECHNICAL INFO

Voltage:	180 - 240V/AC
Rated Load:	800W resistive load
Maximum Load:	400W (LED bulb) / 800W (Incandescent bulb) / 200W (CFL)
Working Temperature:	10°C ~ 32°C
Working Humidity:	≤93%RH
Working Light:	Photocell ON <10LUX / Photocell OFF <2000LUX
Sensor Range (angle):	100°
Sensor Range (distance):	Up to 6m (22°C) – may vary slightly – adjustable
Time-delay:	5 secs, 30 secs, 1 min, 3 mins, 5 mins, 8 mins
Technology Used:	Infrared, IC and SMD technology
IP Rating:	IP44
Cable Inlets:	6 (self-sealing) – 2 x M20 Cable Glands Included



WIRING INSTRUCTIONS: SEE DIAGRAM ON PAGE 3

- Use a small flat head screwdriver to lift the lid.
- Remove all components from the junction box and decide which self-sealing inlets you will use for your input and output cables. Pierce carefully with a screwdriver.
- Mount the junction box in position via the four mounting holes in the corners of the junction box, using screws / rawl plugs relevant to the material you wish to mount to e.g. brick or wood.
- Push the input cable through one of the cable glands (A) (rounded end first) and through the selected self-sealing membrane. This should also be done for the output cable. NOTE: only 2 cable glands are included. If more than one output cable is to be hard-wired, these can safely be installed via the self-sealing membrane, or further cable glands can be purchased (recommended).
- Securely connect brown (Live) and blue (Neutral) cables from the sensor with the brown and blue power input cables, the red (Live Out) from the sensor with the brown cable from the light fitting using the terminal blocks, ensuring no loose strands of wire protrude. The blue from the sensor connects in the same terminal as the blue from the light fitting opposite the blue from the mains. To complete the wiring there is a spare terminal for connecting the Earth from the fitting to the Earth from the power supply. (NOTE Two neutral wires will be connected to the same terminal)
- Screw the cable glands to the junction box, twisting clockwise, and tighten to clamp the cables in position, creating an extra watertight seal.
- Replace the lid and turn the 4 locking screws to the 'I' position to lock (A).



DIP SWITCH SETTINGS:



Working light (Photocell):

When switched to OFF (down), it will work during day and night (<2000 LUX)

When switched to ON (up), it will work only during darkness (<10 LUX)




Sensitivity selecting:

When switched to OFF (down), low sensitivity is selected (up to 3m)

When switched to ON (up), high sensitivity is selected (up to 6m)

Time-delay: (5" = 5 seconds, 30" = 30 seconds, 1' = 1 minute, 3' = 3 minutes, 5' = 5 minutes, 8' = 8 minutes)

TESTING:

- Select 5" to ON position (up) ensuring all other switches retain their original OFF position (down)
- Switch on power and wait for the load to turn on and off again. The sensor is now ready
- Activate the sensor with movement to turn on the load. After 5 seconds it will turn off automatically
- If the Photocell switch () is set to the ON position, the sensor will not be triggered with movement during daylight
- Cover the sensor with your hand and the load will turn on; remove the cover and after 5 seconds it will turn off automatically.

CLEANING:

Disconnect the power and wipe the unit with a damp, soft cloth.

RECYCLING & DISPOSAL:

Under the WEEE Directive, waste electrical products should not be disposed of with household waste. Please recycle where facilities exist. Check with your Local Authority or retailer for recycling advice and waste disposal sites.

TECHNICAL ADVICE:

If you require any technical assistance, please contact Lumena Lights Ltd:- Tel: 01327 871161 Email: sales@lumenalights.com

